

Taiko Audio Extreme Switch Manual



Table of Contents

- 02. The Difference between a Router and a Switch
- 03. The Concept
- 04. Ports and Connections
- 05. Connection
- 06. Power
- 08. Installation
- 09. SFP+ Modules
- 10. What is a DAC Cable and DAC Cable Length
- 11. 1Gb Requirement
- 12. Specifications

The difference between a Router and a Switch

In essence, a Switch is used to connect devices to each other within a network while a Router allows networks to communicate with each other. In general, Routers operate on a software level based on IP addresses while a switch works on a hardware level based on MAC addresses.

A Switch can reduce traffic to a device by learning and storing which MAC address is connected to which port so it can send data to that device specifically addressed to it, while sending data for other devices over its other ports, reducing the amount of traffic on the port your device uses. This does not do anything to reduce broadcast traffic which is sent to all devices on the network.

A Router can control the traffic which is sent and broadcast on your network. Talking in reduction terms, a router can reduce the amount of traffic on the entire network while a Switch can reduce the amount of traffic on a segment of that network. The combination of a Router and a Switch allows the control of traffic on a hardware and software level which can lower traffic to a larger degree than a single Switch, or even multiple daisy-chained Switches, can do.

The Concept

Housed in a beautiful 22 x 22 x 5 cm / 9 x 9 x 2 inch solid copper chassis, the Taiko Audio Extreme Switch reduces noise by cleaning the network and offloading (moving) processing from the Extreme music server to the Switch.

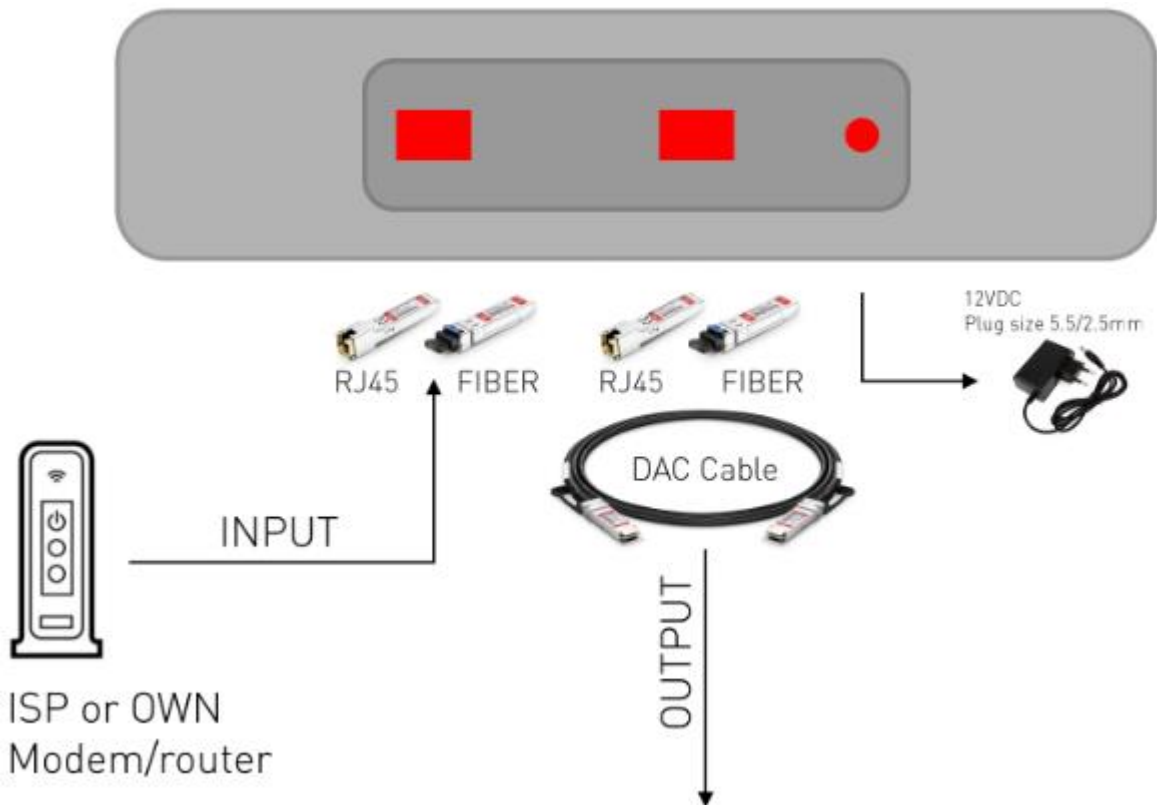


The Extreme Switch is designed to work most effectively with the Extreme Music Server, but it can also be used with other manufacturer's servers or streamers.

The sound quality can be further elevated by also adding the Extreme Router and/or the Extreme DC Power Distributor or one of our upcoming BPS solutions.

Ports and connections

- 1 SFP+ port, intended to use as the Switch Input. This slot can be fitted with either an RJ-45 connector module or a Fiber connector module. Please insert the module with the contacts facing down. Note that this SFP port only works with 1Gb connections. It will not work with 100mbit connections.
- 1 SFP+ port, intended to use as the Switch Output. This slot can be fitted with either an RJ-45 connector module, a Fiber connector module, or a DAC Cable in a variety of lengths ranging from 0,5 – 7m. Please insert the module or cable with the contacts facing down. Note that this SFP port only works with 1Gb connections. It will not work with 100mbit connections.
- DC 12V Power Input. Barrel size: 2.5mm internal / 5.5mm external diameter / 11.3mm length. The Switch has a wide input range of 12V-19V DC (12V is optimal). Power consumption is around 100mA @12V.
- Ground terminal, M6, with hex 4mm screwdriver hole.



Connection

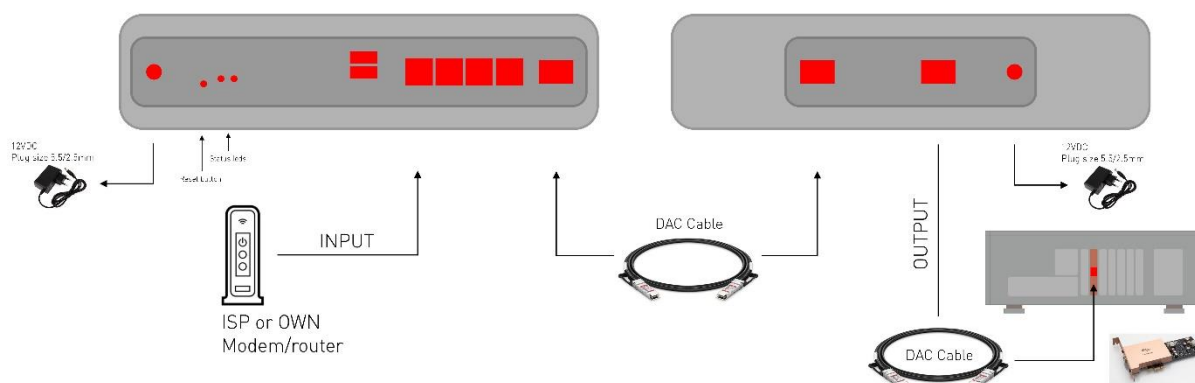
A basic setup would be for the user to connect the Extreme Music Server, or another Music Server or Streamer, to a generic router directly or via a generic network switch.

This basic setup can be upgraded by adding the Extreme Network Switch to achieve a significant improvement in Sound Quality. For older Extreme Music Servers, the Extreme Network Card can be retrofitted to the server to yield further improvements. The Extreme Network Card is only available for Extreme Music Servers.

To raise the bar even further, the user can also add the Extreme Router and connect it ahead of the Extreme Switch to create an audio exclusive (isolated) network unimpacted by typical home network processes and traffic. Please see the separate Extreme Router Manual for more information on this topic.

Power

The Switch is powered by any normal 12-19V DC power supply. A standard wall-wart power supply is included. Please see the following image for reference.



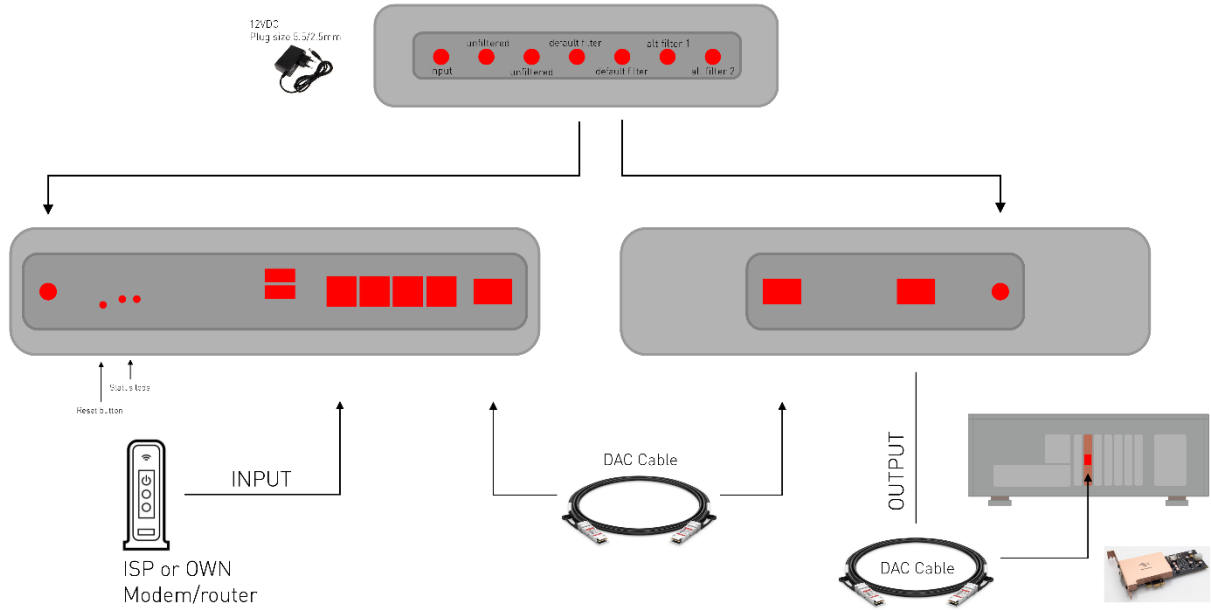
The power supply may be the supplied Wall-Wart Power Adapter or an audiophile switched or linear power supply. A better power supply does provide even better sound quality.

Optionally, the Router and Switch may also be powered by our new to be released Taiko Audio BPS (Battery Power Supply).

The ultimate current solution would be to add the Extreme DC Power Distributor. This allows you to power both the Extreme Switch and Router from a single power supply while offering improved performance over 2 separate power supplies, especially when using a DAC cable to connect the Extreme Router to the Extreme Switch.

Please see the following image for reference for how to connect the Router and Switch via the DC Power Distributor.

How to connect the Taiko Extreme Router using the Extreme DC power distributor



Installation

The Taiko Audio Extreme Network Switch can be used in tandem with the Taiko Audio Extreme Network Card, or on its own. When the Extreme Network Card is also installed, please refer to the additional information in the separate Extreme Switch Installation documentation which also involves a script to be downloaded and installed, which is all available from the Downloads section on the Taiko Audio website:

<https://taikoaudio.com/taiko-2020/taiko-audio-downloads>

When the Extreme Switch is added standalone there is no requirement for any software install and the document that you are currently reading is all you need. Please follow the steps below to install the Switch.

1. Connect the Switch with the Wall-Wart power adapter.
2. Insert the RJ45 (or Fiber-) adapter in the SFP+ input slot (left-hand side). Please note that the module only fits in one orientation, with their contacts facing down. Push the module all the way in and move the yellow handle up to secure the module in the slot (Move the handle down to remove it).
3. If ordered, insert the second RJ45 adapter in the SFP+ output slot (right-hand side). Please note that the module only fits in one orientation, with their contacts facing down. Push the module all the way in and move the yellow handle up to secure the module in the slot (Move the handle down to remove it).
4. Connect the Switch input (left-hand connector) with the output from your regular Router or Switch.
5. Connect the Switch output (right-hand connector) to the input of your Server.

SFP+ Adapter Modules

Please refer to the below photo of a Fiber SFP Module (left) and a Copper SFP RJ45 Module (right)



What is a DAC cable?

A Direct Attach Copper cable or a “DAC cable” is a twinax copper cable terminated with SFP connectors that connects directly the SFP ports (or line cards) within active equipment, such as switches, routers, servers or data storage devices, in a data network.



Above is an example of a DAC SFP Cable, or in other words, a DAC cable terminated with SFP connectors

DAC Cable Length

The length of a DAC Cable is not critical, simply use the length you need. Longer cable lengths require a larger wire gauge to compensate for the increased signal loss. There are some marginal differences between different lengths but not really a qualitative difference, more along the lines of slightly thinner/faster for shorter lengths, slightly fuller/slower for longer lengths, but again, really minor, at Taiko, we use any length without caring about these differences.

Gigabit / 1000Mbps

SFP modules and -ports are designed for a single speed and they do not exist in a dual-speed configuration. The SFP modules and ports that we use in our Taiko Audio products are specified to work only at 1Gb.

Thus, the Taiko Extreme Switch facilitates only a Gigabit / 1000Mbps SFP connection. It is not compatible with 100Mbps network components.

Specifications

The Switch is powered by any normal 12-19V DC power supply. A standard wall-wart power supply is included which will provide superb sonic results.

However, a higher-end power supply will provide further improvements. The ultimate current solution would be to add the Extreme DC Power Distributor. This allows you to power both the Extreme Switch and Router from the same power supply while offering improved performance over 2 separate power supplies.

The Switch may also be powered by our new to be released Taiko Audio BPS (Battery Power Supply).

Power input: 12-19V DC. (12V is the optimal voltage)

Current draw at 12V: 100mA natively. Note that the total current draw depends on the supplied voltage.

Earth Screw: M6 with 4mm hex screwdriver hole (use screw length and or washers as needed)

Product Dimensions: 21 x 21 x 6 cm (with feet)

Connector Dimensions: 2.5 inner / 5.5 outer / 11.3mm length (14mm recommended)

Weight:

14.8 Kg / 32.6 lbs